



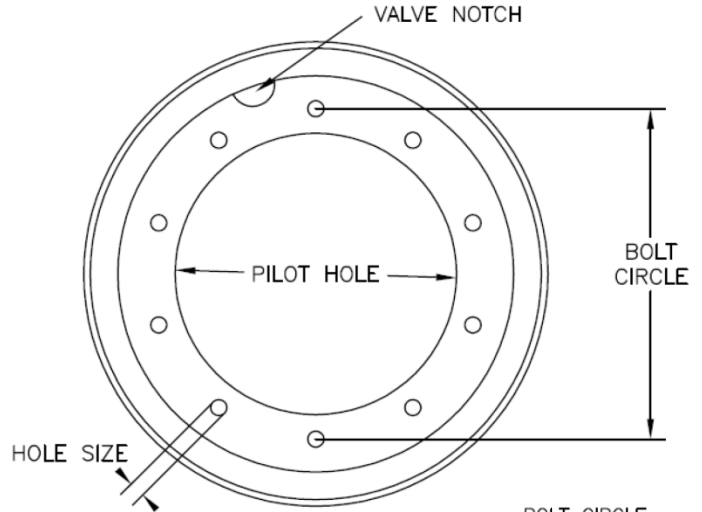
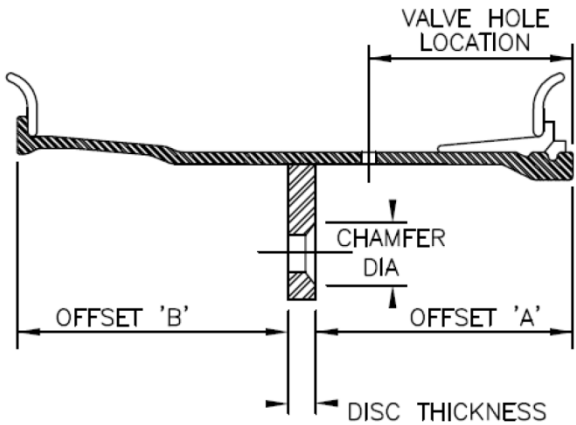
WHEEL SPECIFICATIONS

INFORMATION TAKEN BY: _____
 DATE: _____

CUSTOMER NAME: _____
 CONTACT NAME: _____

EQUIPMENT MAKE: _____
 EQUIPMENT MODEL & SERIES: _____

OEM PART #: _____
 WHEEL PART #: _____
 TIRE SIZE: _____
 PAINT COLOR: _____



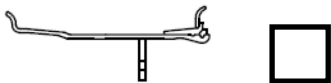
For even # of holes the bolt circle can be measured center to center or outside of 1 hole to the inside of the hole directly across.

RIM WIDTH (between flanges): _____
 OFFSET A (valve side): _____
 OFFSET B (hub side): _____
 DISC THICKNESS: _____
 VALVE HOLE LOCATION: _____
 VALVE HOLE SIZE: _____
 VALVE NOTCH WIDTH: _____
 VALVE NOTCH DEPTH: _____

BOLT CIRCLE DIAMETER: _____
 PILOT HOLE DIAMETER: _____
 NUMBER OF BOLT HOLES: _____
 DIAMETER OF BOLT HOLES: _____
 HOLE TYPE CHAMFERED OR FLAT: _____
 CHAMFER RADIUS OR ANGLE: _____
 DIAMETER OF CHAMFER: _____
 DEPTH OF CHAMFER: _____

NOTES:

SELECT WHEEL PROFILE:



TYPE 1 – FIXED BACK FLANGE



TYPE 3 – SEMI DROP CENTER FIXED FLANGE
 1 pc AG Type Rim



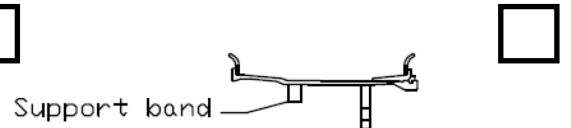
TYPE 5 – FIXED BACK FLANGE FORMED DISC



TYPE 2 – EARTHMOVER LOOSE FRONT AND BACK FLANGES



TYPE 4 – SEMI DROP CENTER RIM. FORMED DISC



TYPE 6 – EARTHMOVER RIM. LOOSE FRONT AND BACK FLANGES. HAS SUPPORT RING